

Brush duct system

Assembly Instruction





Flush screed duct with coverable brush in sheet steel design. For dry-clean floor coverings up to 25 mm thick. Suitable for laying across the room and directly on the wall. For wall mounting, insulation must already be provided on site. The duct may only be installed on plastered and painted walls. The work must be coordinated in advance with the site management / construction planning department. All parts must be connected to each other in a metallically conductive manner.



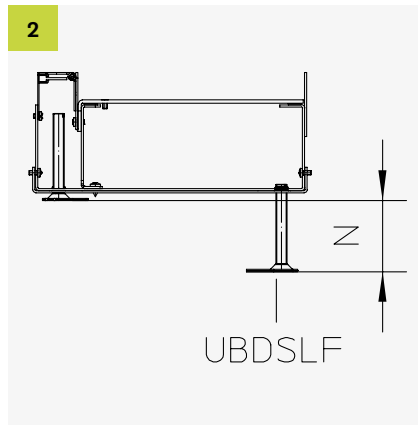
1 **Scope of delivery**

Included in delivery:

- pre-assembled levelable lower part
- upper part with coverable brush
- assembly cover.

The following products are necessary to complete the system:

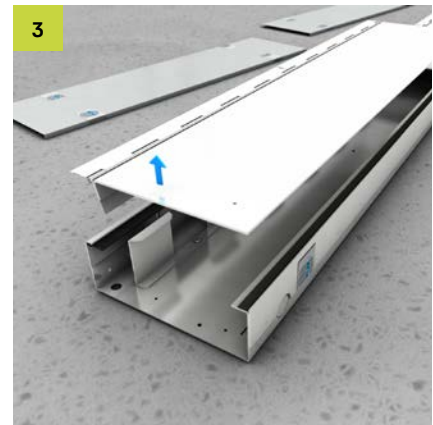
- Connector UBEBV
- 4x leveling base UBDSL
- optional 4x footstep sound socket



2 **Leveling range CHALI**

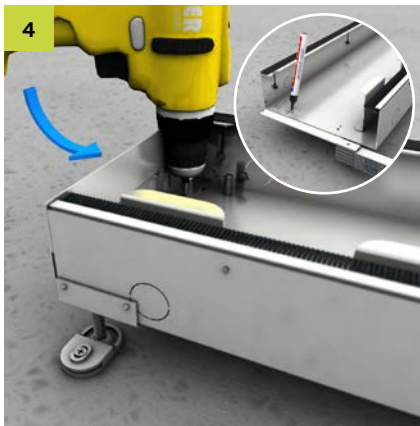
Use	Leveling range
UBDSL 80	= 92 - 160 mm
UBDSL 150	= 158 - 230 mm
UBDSL 220	= 228 - 300 mm

The use of the UGM-SLF footstep sound sleeve increases the leveling height by 3 mm.



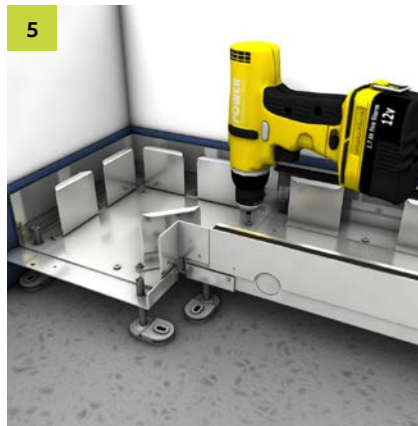
3 **Start of assembly**

For duct assembly, the cover and assembly lid must be removed from the lower part.



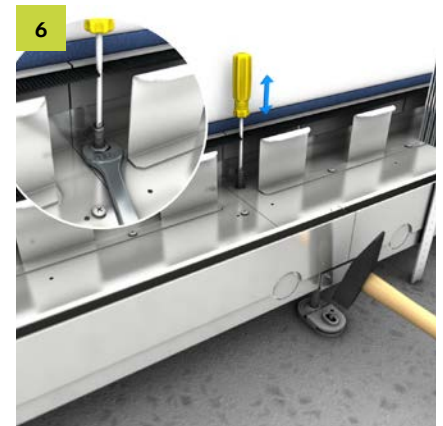
End piece assembly

If necessary, shorten the duct and mark the connection points for the UBEBV connector (Ø 15 mm) and the UBEBES end piece (Ø 4 mm) and drill holes. The end piece is inserted from above and used as a drilling template.



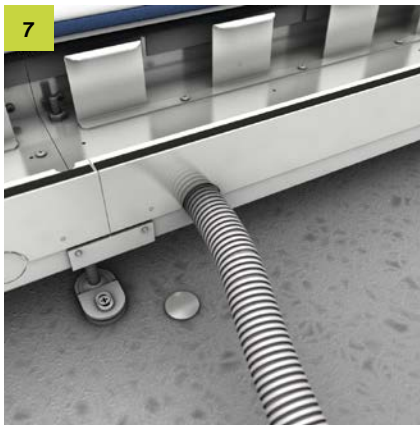
Corner piece

Connect the UBEBMBI corner piece to the duct using the UBEBV connector. The leveling height of the duct must be coordinated with the adjacent trades.



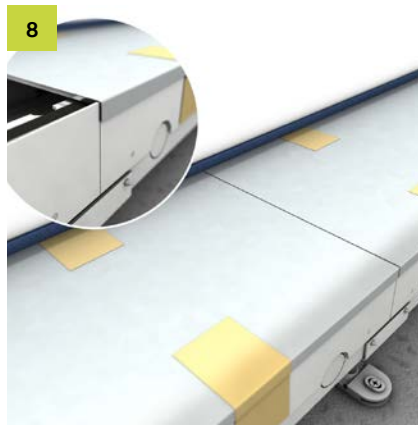
Adjust the leveling

Adjust the installed duct system to the specified screed height using a laser and fix leveling bases with nail anchors. The leveled duct system must not be stepped on or loaded in any other way. All leveling bases must be locked.



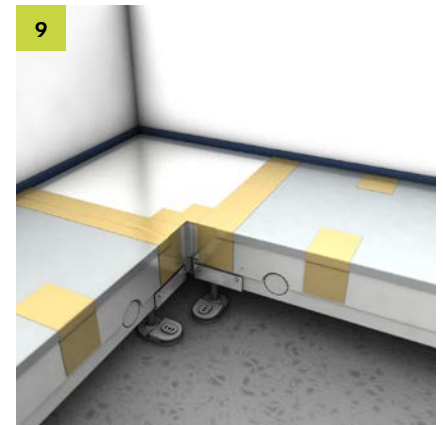
Empty conduit connection

Break out the perforation on the side or bottom plate of the duct and connect the empty conduit (Ø 32 mm).



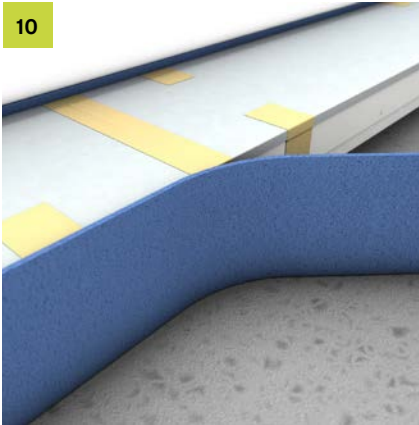
Completion with lid

Before screed application, the cover and the assembly lid must be fixed to the bottom part again with adhesive tape. The folded side of the assembly lid must be placed on the side facing the room.

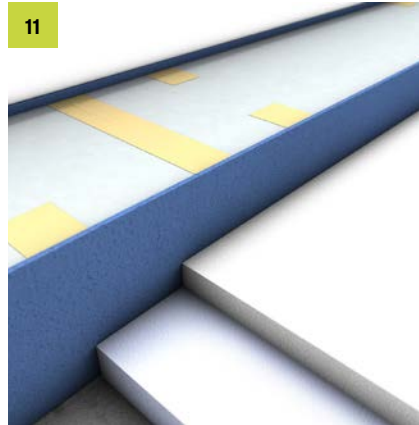


Sealing

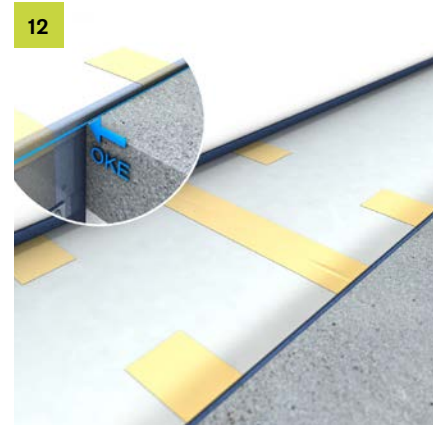
Before screed application, all open areas must be sealed according to DIN.



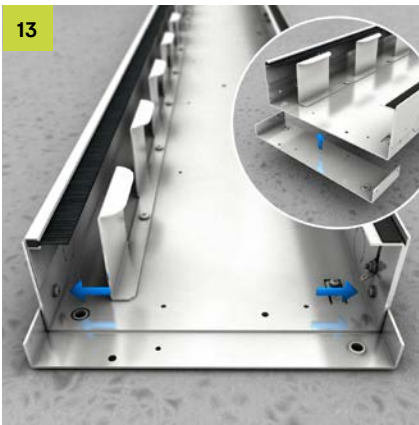
10 Edge insulation strip
The edge insulation strip (min. 5 mm) must be installed on site in accordance with DIN. The insulation must not be firmly connected to the duct.



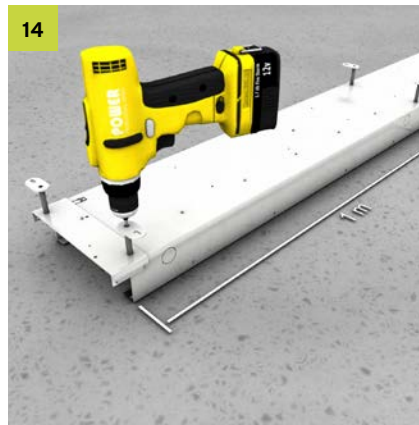
11 Insulation
Cavities can be filled with suitable agents (mineral wool) if necessary. No screed may run under the duct.



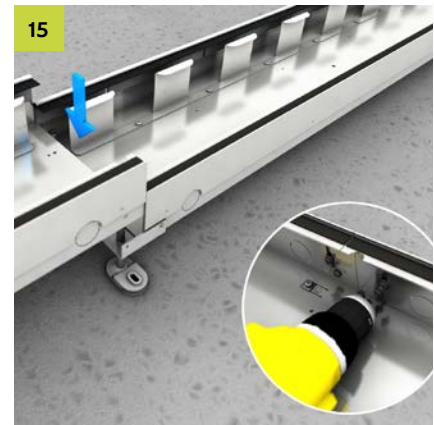
12 Placing the screed
All adjusting strips are set to the height of the covers at the factory.



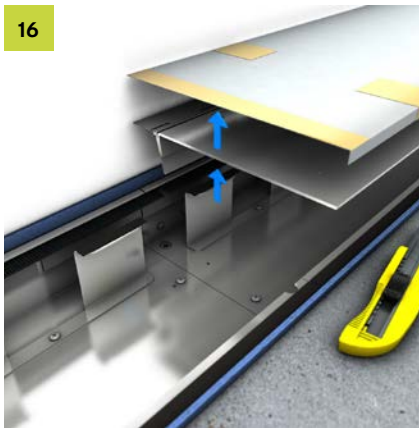
13 Connector
Place the UBE BV connector on the duct from below and connect it laterally from the inside.



14 Levelling bases
Turn the duct for easier installation and screw in two UBDSL F leveling bases per meter.

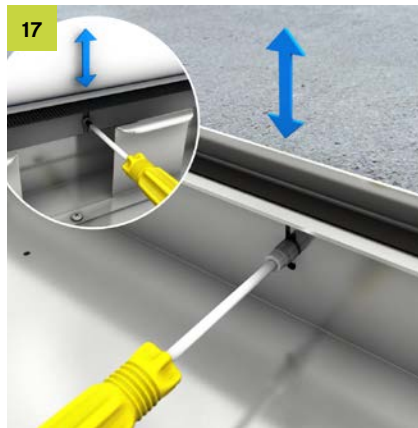


15 Channel connection
Place the duct on the leveling bases. Connect both sections using the UBE BV connector and screw tight. Note equipotential bonding.



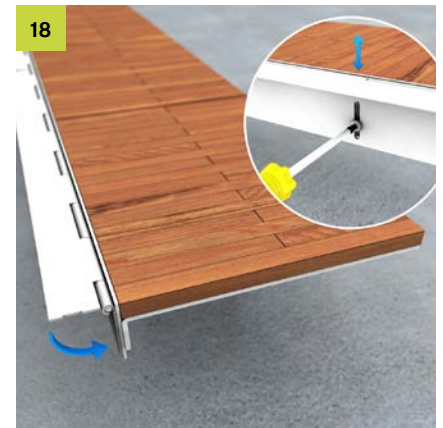
16 Assembly lid

After the screed has cured, the assembly lid and cover are removed. A box cutter must be used to remove them in a manner that protects the trade.



17 Adjusting strips

Adjust the lateral adjusting strips, the end piece and the hinge adjusting strips to the height of the finished floor. The maximum height leveling via the adjusting strips is 25 mm.



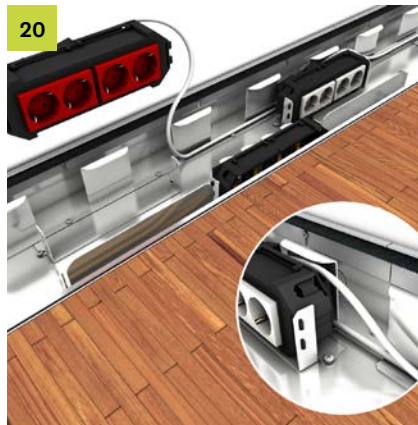
18 Lid

Adjust hinge adjustment strips according to the thickness of the floor covering and then cover the lid with floor covering.



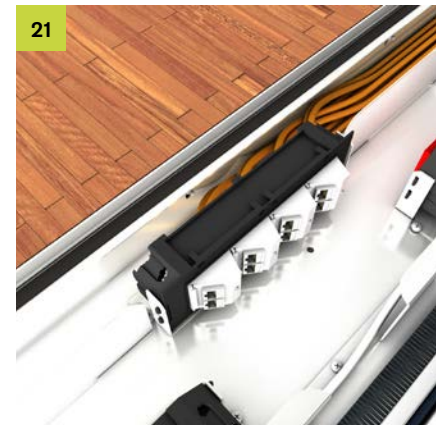
19 Mounting box supports

Always mount the mounting box supports and separators offset. Separators are only required on the data systems side. Both components are connected to each other with a screw.



20 High current

Snap the preassembled mounting boxes into the receptacle. The connection cable is routed between the mounting plate and the lid support separator. The TI cable assignment must be observed here.



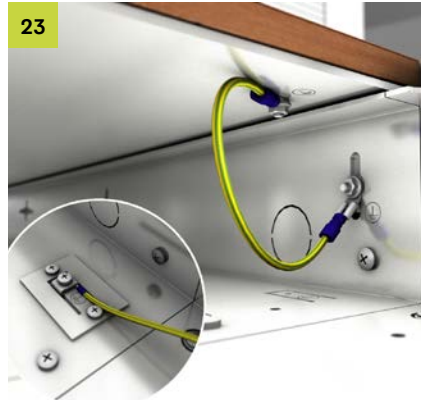
21 Data systems

The mounting boxes are completed with the UDAP45 data covers and snapped into the receptacle. Here, the technical information „Screed-flush duct systems“ must be observed.



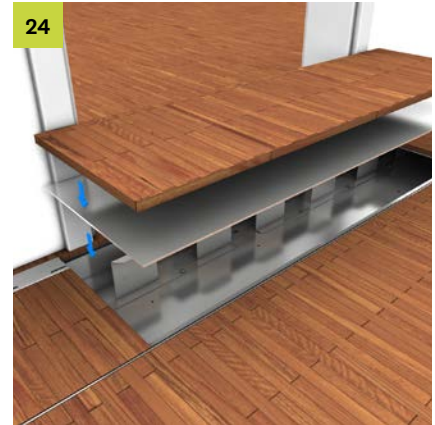
22 Cable outlet with brush

Lead the cables out through the open outlet flap. Make sure that the outlet flap is folded down.



23 Grounding

Establish the grounding connection between the lower part grounded on site and the lid and thus include it in the protective measure. If necessary, use the UEBSEL grounding lug set.



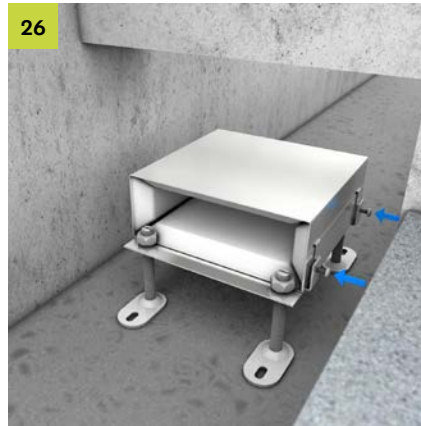
24 Door crossing

Remove the brush from the relevant duct section and replace it with the dummy cover with strip UBEBBDL.



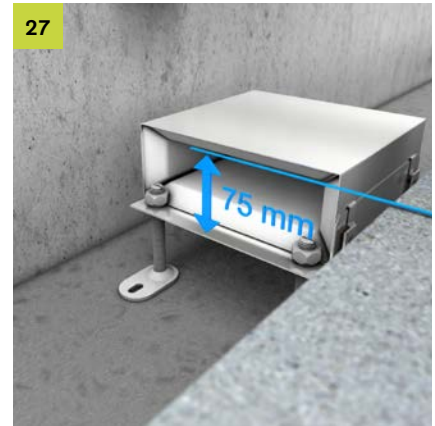
25 Wall bushing

In the case of a wall duct, the cover must be cut according to the wall thickness, only in this way it is possible to use the duct along the wall.



26 Execution fire barrier

Position the crossbars of the UBEBBS 160S duct fire protection partition in the fire barrier, fix them by means of leveling trusses and adjust them to the height of the duct. Make sure that the partition is aligned according to the later duct position. Secure the position of the partition within the crossbars laterally using the enclosed screws.



27 Position of fire protection partition

The underside of the fire protection partition must be set to screed height minus 75 mm. This is the only way to ensure that the duct surrounds the partition but does not form a fixed connection and does not impair the function.



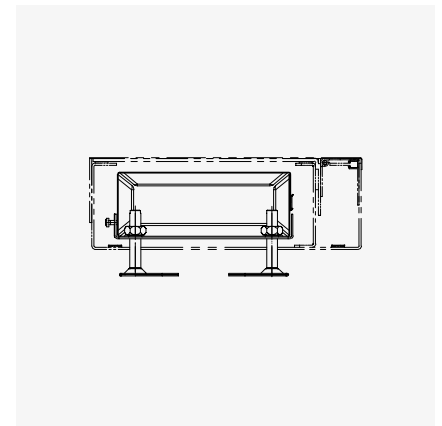
Removal of trusses

After the work on the fire protection wall has been completed, the trusses must be removed. To do this, both the lateral fixings and the leveling bases must be loosened and the trusses carefully removed.



Final duct assembly

The duct is then positioned in accordance with the usual procedure. Take care to ensure that the duct and fire protection partition do not form a tight joint. After the cable installation, the EasyFoam plugs are inserted into the folding box. Subsequently, all remaining openings are sealed smoke-tight. Observe potential equalization.



Errors and technical modifications excepted. Reprinting and any electronic reproduction only with our written permission. With the publication of this printed matter, all previous documents lose their validity.

© PohlCon | PC-LIT-MA-CHALI-EN | 04-2021 | 1. | 04-2021

PohlCon Vertriebs GmbH

Nobelstr. 51
12057 Berlin

T +49 30 68 283 - 04
F +49 30 68 283 - 383

www.pohlcon.com